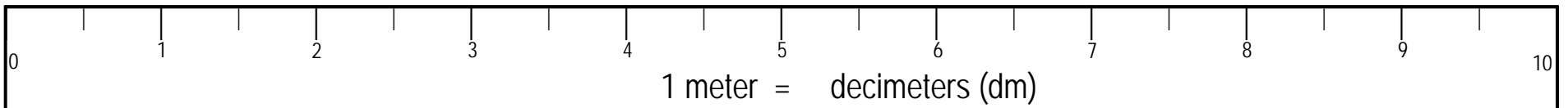
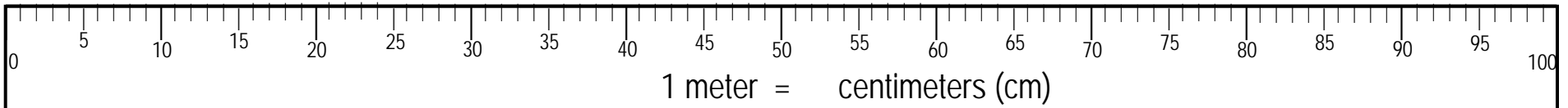
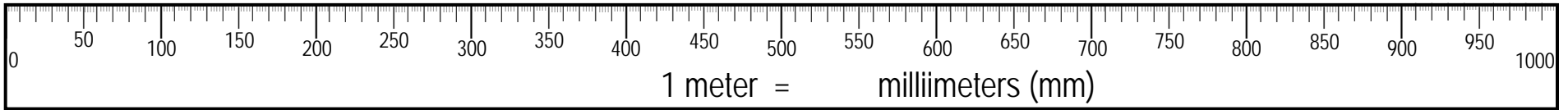


Metric System Review

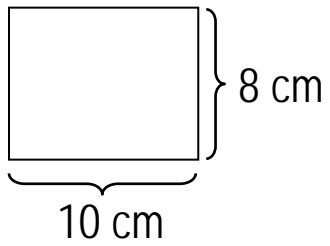
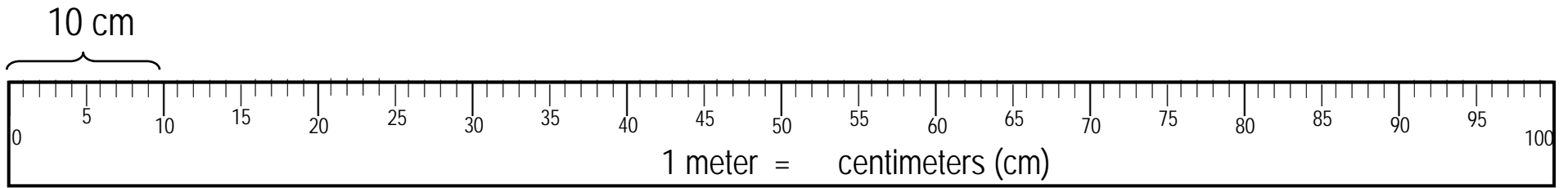
Units of Length

Note: Use a real Meter stick while you watch the video! These pictures are not to scale!



Metric System Review

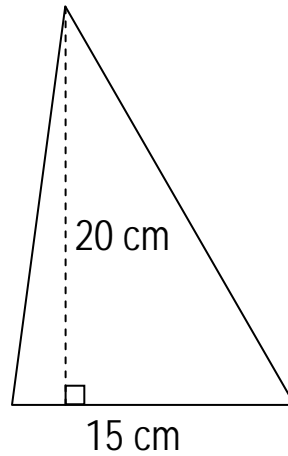
Units of Area



$$A = (\textit{length}) \cdot (\textit{width})$$

$$A =$$

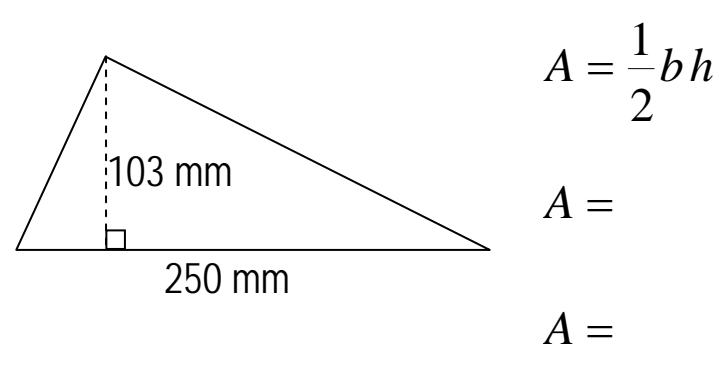
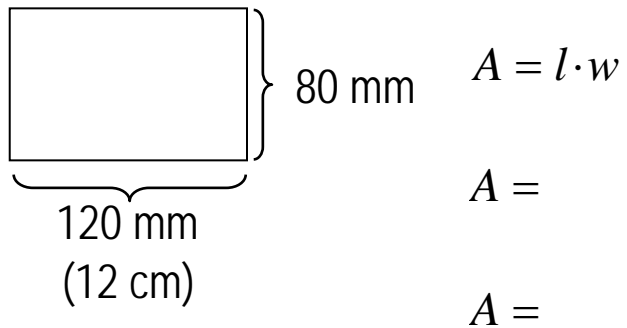
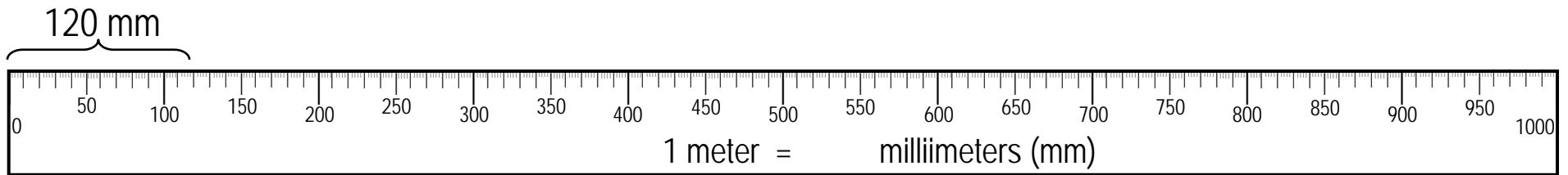
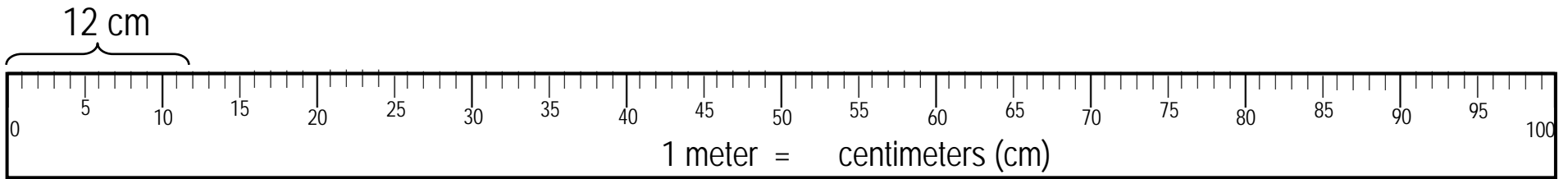
$$A =$$



$$A = \frac{1}{2}bh$$

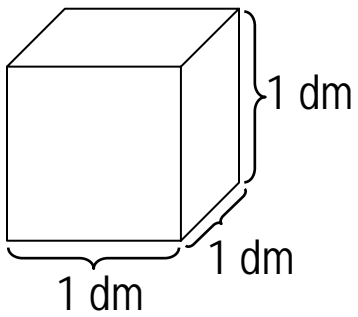
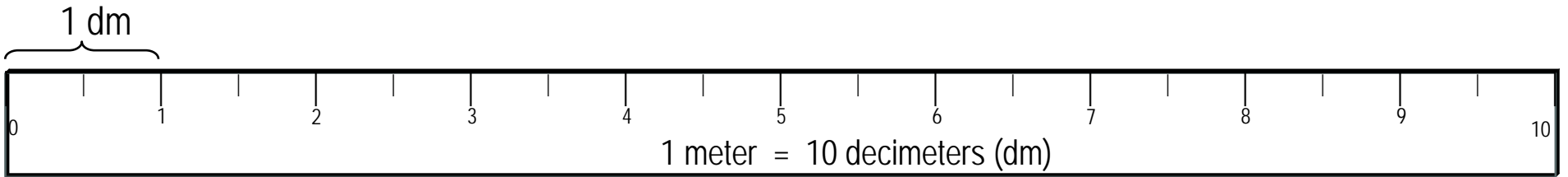
$$A =$$

$$A =$$



Metric System Review

Units of Volume



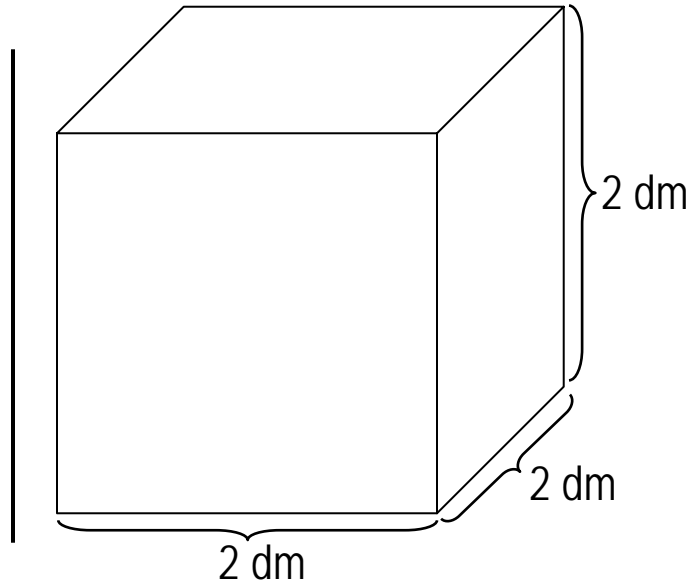
$$V = s^3$$

$$V =$$

$$V =$$

$$V =$$

$$V =$$



$$V = s^3$$

$$V =$$

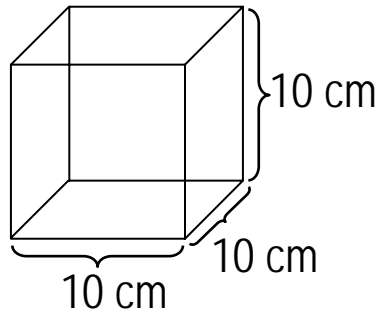
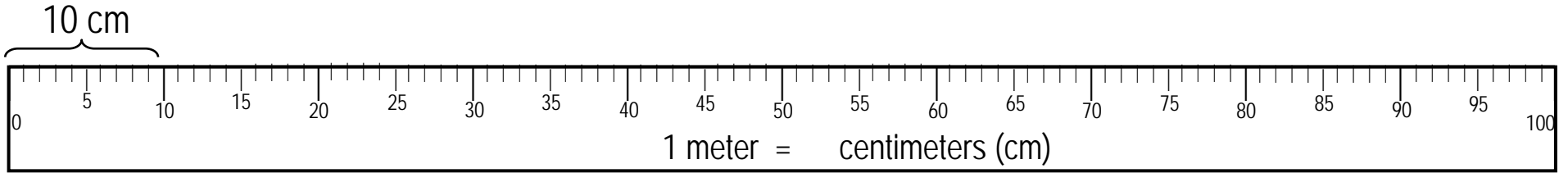
$$V =$$

$$V =$$

$$V =$$

Metric System Review

Units of Volume



$$V = s^3$$

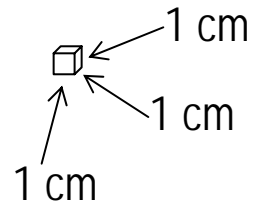
$$V =$$

$$V =$$

$$V =$$

$$V =$$

$$V =$$



$$V = s^3$$

$$V =$$

$$V =$$

$$V =$$

$$V =$$

$$V =$$